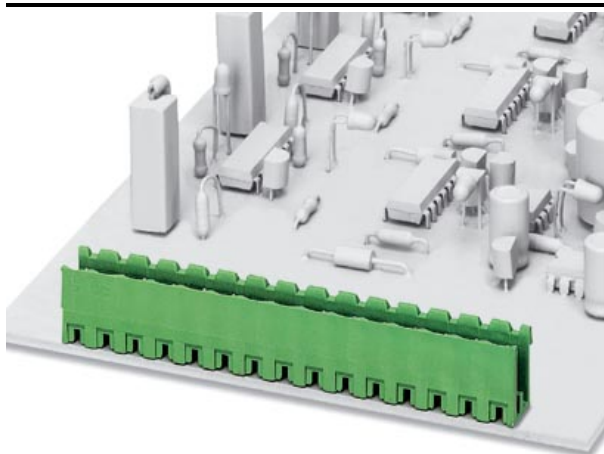


Please note that the data given here has been taken from the online catalog. For comprehensive information and data, please refer to the user documentation at <http://www.download.phoenixcontact.com>. The General Terms and Conditions of Use apply to Internet downloads.

## ► Extract from the online catalog



Header, nominal current: 12 A, rated voltage: 250 V,  
pitch: 5.08 mm, no. of positions: 5, mounting: Soldering

The illustration shows a 14-position version

Order No.	1758047
Ord designation	MSTBV 2,5/ 5-G-5,08
EAN	4017918030254
Pack	50 Pcs.
Customs tariff	85369010
Catalog page information	Page 168 (CC-2005)

## ► Technical data

### Dimensions / positions

Pitch	5.08 mm
Dimension a	20.32 mm
Number of positions	5
Pin dimensions	1 x 1 mm
Hole diameter	1.4 mm

### Technical data

---

Insulating material group	IIIa
Rated surge voltage (III/3)	4 kV
Rated surge voltage (III/2)	4 kV
Rated surge voltage (II/2)	4 kV
Rated voltage (III/2)	320 V
Rated voltage (II/2)	400 V
Connection in acc. with standard	EN-VDE
Nominal current $I_N$	12 A
Nominal voltage $U_N$	250 V
Maximum load current	12 A
Insulating material	PBT
Inflammability class acc. to UL 94	V0

---

---

## ► Certificates

---

### Certificate logos



---

#### UL

Nominal voltage $U_N$	300 V
Nominal current $I_N$	10 A

---

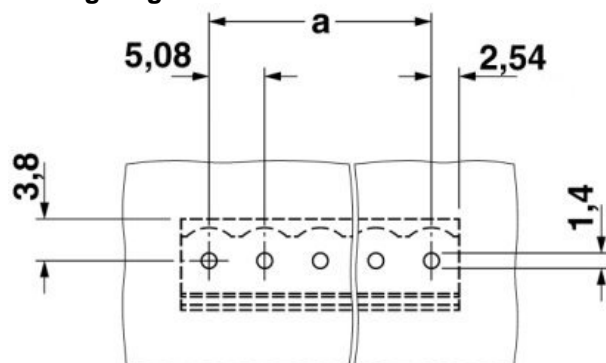
#### CSA

Nominal voltage $U_N$	300 V
Nominal current $I_N$	10 A

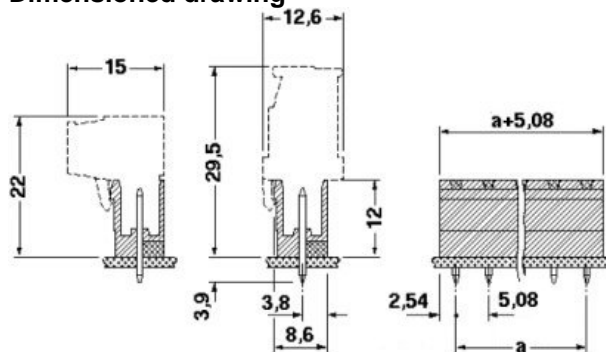
---

## ► Drawings

Drilling diagram



Dimensioned drawing



---

## ► Accessories

---

Item	Designation	Description
<b>Assembly</b>		
1755477	MSTB-BL	Keying cap, for forming sections, plugs onto header pin, green insulating material
<b>Marking</b>		
1051993	B-STIFT	Marker pen, for manual labeling of unprinted Zack strips, smear-proof and waterproof, line thickness 0.5 mm
0804293	SK 5,08/3,8:FORTL.ZAHLEN	Marker card, printed horizontally, self-adhesive, 12 identical decades marked 1-10, 11-20 etc. up to 91-(99)100, sufficient for 120 terminal blocks
0805085	SK 5,08/3,8:SO	Marker card, self-adhesive, marking according to customer requirements
0805412	SK 5,08/3,8:UNBEDRUCKT	Marker cards, unprinted, with pitch divisions, self-adhesive, 10-section marker strips, 12 strips per card, can be labeled with M-PEN
<b>Plug/Adapter</b>		
1734401	CR-MSTB	Coding element, inserted into the recess in the header or the inverted plug, red insulating material

---



---

► **Additional products**

---

Item	Designation	Description
------	-------------	-------------

**General**

1872729	A-ICV 2,5/ 5-G-5,08	Header, nominal current: 12 A, rated voltage: 250 V, pitch: 5.08 mm, no. of positions: 5, mounting: Mounting rail
1873087	FKC 2,5/ 5-ST-5,08	Plug component, nominal current: 12 A, rated voltage: 250 V, pitch: 5.08 mm, no. of positions: 5, type of connection: Spring-cage connection
1902149	FKCT 2,5/ 5-ST-5,08	Plug component, nominal current: 12 A, rated voltage: 250 V, pitch: 5.08 mm, no. of positions: 5, type of connection: Spring-cage connection
1873980	FKCVR 2,5/ 5-ST-5,08	Plug component, nominal current: 12 A, rated voltage: 250 V, pitch: 5.08 mm, no. of positions: 5, type of connection: Spring-cage connection
1873689	FKCVW 2,5/ 5-ST-5,08	Plug component, nominal current: 12 A, rated voltage: 250 V, pitch: 5.08 mm, no. of positions: 5, type of connection: Spring-cage connection
1777316	FRONT-MSTB 2,5/ 5-ST-5,08	Plug component, nominal current: 12 A, rated voltage: 320 V, pitch: 5.08 mm, no. of positions: 5, type of connection: Screw connection
1786433	IC 2,5/ 5-G-5,08	Header, nominal current: 12 A, rated voltage: 250 V, pitch: 5.08 mm, no. of positions: 5, mounting: Soldering
1785971	ICV 2,5/ 5-G-5,08	Header, nominal current: 12 A, rated voltage: 250 V, pitch: 5.08 mm, no. of positions: 5, mounting: Soldering
1757048	MSTB 2,5/ 5-ST-5,08	Plug, nominal current: 12 A, rated voltage: 250 V, pitch: 5,08 mm, no. of positions: 5, type of connection: Screw connection
1776142	MSTB 2,5/ 5-STZ-5,08	Plug, nominal current: 12 A, rated voltage: 250 V, pitch: 5,08 mm, no. of positions: 5, type of connection: Screw connection
1808845	MSTBC 2,5/ 5-ST-5,08	Plug component, nominal current: 12 A, rated voltage: 320 V, pitch: 5.08 mm, no. of positions: 5, type of connection: Crimp connection
1809530	MSTBC 2,5/ 5-STZ-5,08	Plug component, nominal current: 12 A, rated voltage: 320 V, pitch: 5.08 mm, no. of positions: 5, type of connection: Crimp connection
1769049	MSTBP 2,5/ 5-ST-5,08	Plug, nominal current: 12 A, rated voltage: 250 V, pitch: 5,08 mm, no. of positions: 5, type of connection: Screw connection
1781014	MSTBT 2,5/ 5-ST-5,08	Plug, nominal current: 12 A, rated voltage: 250 V, pitch: 5,08 mm, no. of positions: 5, type of connection: Screw connection
1824159	MSTBU 2,5/ 5-STD-5,08	Plug component, nominal current: 12 A, rated voltage: 320 V, pitch: 5.08 mm, no. of positions: 5, type of connection: Screw connection
1831346	MSTBVK 2,5/ 5-ST-5,08	Plug component, nominal current: 12 A, rated voltage: 320 V, pitch: 5.08 mm, no. of positions: 5, type of connection: Screw connection
1792278	MVSTBR 2,5/ 5-ST-5,08	Plug, nominal current: 12 A, rated voltage: 250 V, pitch: 5,08 mm, no. of positions: 5, type of connection: Screw connection
1792786	MVSTBW 2,5/ 5-ST-5,08	Plug, nominal current: 12 A, rated voltage: 250 V, pitch: 5,08 mm, no. of positions: 5, type of connection: Screw connection
1917930	QC 0,75/ 5-ST-5,08	Plug components, 5.08 mm pitch, color: green, no. of positions 5, dimension a 20.32 mm
1883284	QC 1/ 5-ST-5,08	Plug component, nominal current: 10 A, rated voltage: 250 V, pitch: 5.08 mm, no. of positions: 5, type of connection: Insulation displacement connection QUICKON
1826319	SMSTB 2,5/ 5-ST-5,08	Plug, nominal current: 12 A, rated voltage: 250 V, pitch: 5,08 mm, no. of positions: 5, type of connection: Screw connection

## MSTBV 2,5/ 5-G-5,08



---

1853049	TMSTBP 2,5/ 5-ST-5,08	Plug with screw flange, nominal current: 12 A, rated voltage: 250 V, pitch: 5,08 mm, no. of positions: 5, type of connection: Screw connection
1833849	UMSTBVK 2,5/ 5-ST-5,08	Plug component, nominal current: 12 A, rated voltage: 320 V, pitch: 5.08 mm, no. of positions: 5, type of connection: Screw connection
1873029	ZFKK 1,5-ICV-5,08	Modular terminal blocks with plug entry, cross section: 0.2 - 1.5 mm <sup>2</sup> , width: 5.1 mm, color: gray

---



## ► Address

---

PHOENIX CONTACT GmbH & Co. KG  
Flachsmarktstr. 8  
32825 Blomberg  
Germany  
Phone +49 5235 3 00  
Fax +49 5235 3 1200  
<http://www.phoenixcontact.com>  
Phoenix Contact  
Technical modifications reserved;